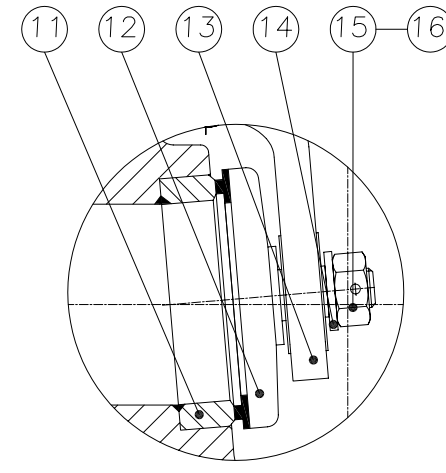
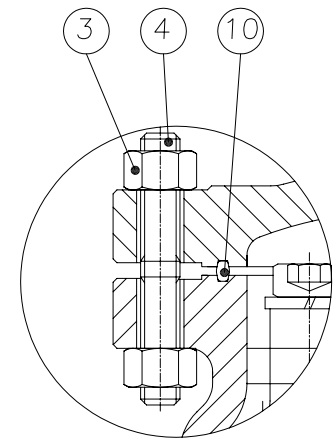
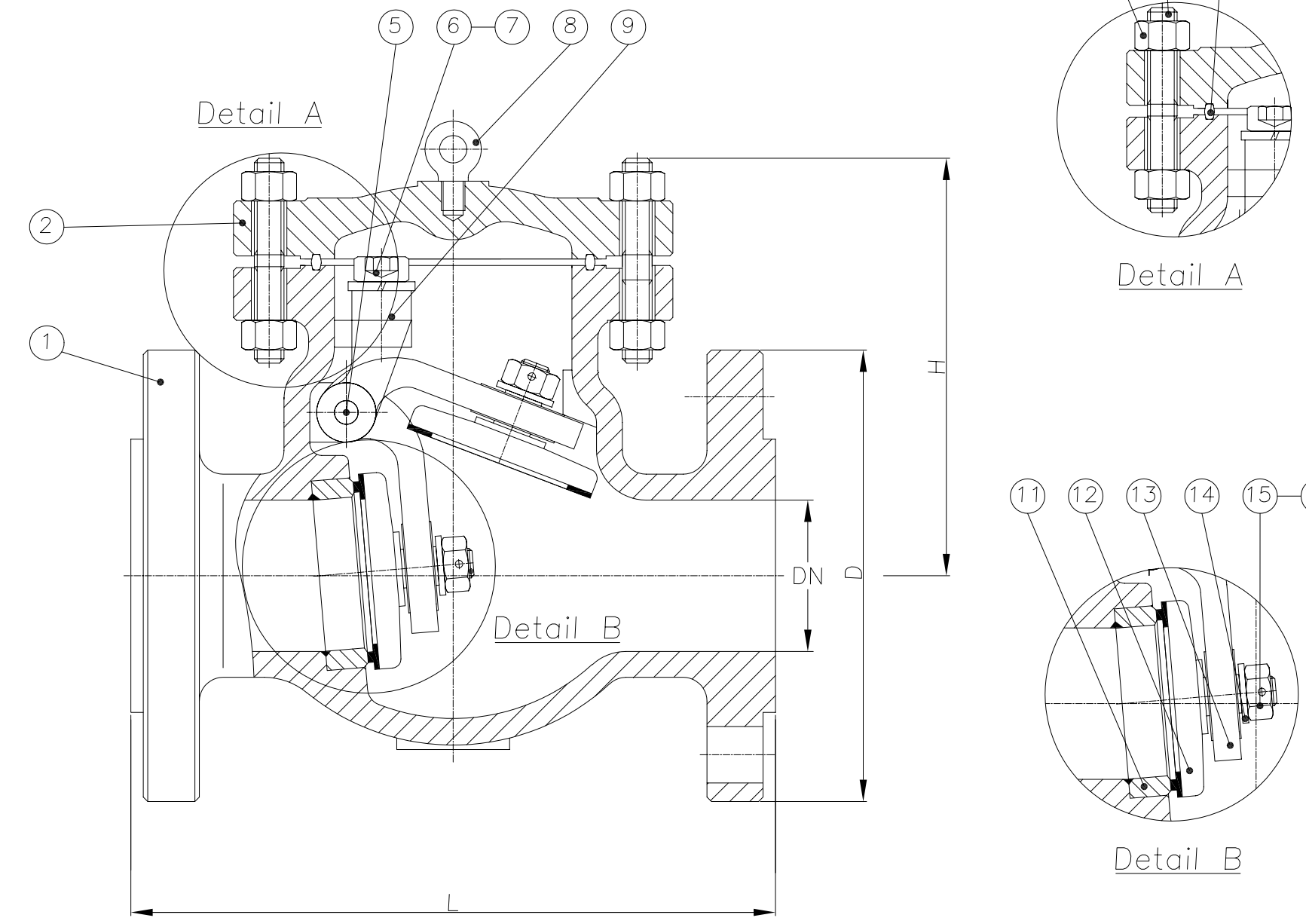


MATERIALS TO NACE MR0175 LATEST EDITION (WETTED PARTS).

BILL OF MATERIALS				
NO.	DESIGNATION	QTY	MATERIAL	NOTES
1	BODY	1	ASTM A216 WCB	
2	COVER	1	ASTM A216 WCB	
3	COVER NUT	1	ASTM A194 2HM	
4	COVER BOLT	1	ASTM A193 B7M	
5	HINGE PIN	1	CARBON STEEL	
6	EYE BOLT	1	ASTM A193 B7M	
7	SPRING WASHER	1	SPRING STEEL	
8	STATIONARY RING	1	CARBON STEEL	
9	BEARING BRACKET	1	ASTM A216 WCB	
10	GASKET	1	316+GRAPHITE	
11	SEAT	1	ASTM A105+STL	
12	DISC	1	ASTM A216 WCB	
13	HINGE	1	ASTM A216 WCB	
14	DISC WASHER	1	CARBON STEEL	
15	DISC NUT PIN	1	CARBON STEEL	
16	VALVE NUT	1	ASTM A194 2HM	

ITEM NO.	N.B	DN	L	D	H
	2"	51	292	165	159
	3"	76	356	210	222
	4"	102	432	273	235
	6"	152	559	356	292
	8"	200	660	419	343
	10"	248	787	508	425
	12"	298	838	559	470
	14"	327	889	603	532
	16"	375	991	686	594
	18"	419	1092	743	728
	20"	464	1194	813	689
	24"	559	1397	940	907

DRAWING TITLE:
 CAST STEEL CLASS 600
 BOLTED COVER, RF, SWING CHECK VALVES
 PROJECT:
 PACKAGE:
 VENDOR DOC.NO.:



ENGINEERING DATA

DESIGN CODE	BS 1868/ANSI B16.34	TEST PRESSURES		
FACE TO FACE DIMENSIONS	ASME B16.10	BODY	153.15	Barg
ENDS CONNECTION DIMENSIONS	ASME B16.25	SEAT	112.31	Barg
TESTING CODE	API 598	BACKSEAT	112.31	Barg
		AIR - SEAT	6.0	Barg

BY	CHK	APP	SCALE:		
			DRAWN	DATE	
			CHECKED	DATE	
			APPROVED	DATE	

CAD. No.	DRAWING NUMBER:	120066	REV
	AREA No.	FACILITY	TYPE SEQ. No. SHT. No.